

GEZE PATCH FITTINGS  
CLAMPING BEARINGS FOR ALL-GLASS INSTALLATIONS

## CONTENTS

Elegant solutions - versatile and easy to install	<b>3</b>
Overview door system types	<b>4</b>
Bottom patch GEZE PT 10	<b>6</b>
Floor pivot DL-FL and DL-RD	<b>7</b>
Top patch GEZE PT 20	<b>8</b>
Top pivot GEZE PT 24 and GEZE PT 21	<b>9</b>
Fanlight patch with pivot pin GEZE PT 30	<b>10</b>
Patch for fanlight and side panel GEZE PT 40	<b>11</b>
Patch for fanlight and side panel with reinforcement GEZE PT 41L / PT 41R	<b>12</b>
Centre lock GEZE US 50-FL and GEZE US 50-RD	<b>13</b>
Patch lock GEZE PL 50-FL and GEZE PL 50-RD	<b>14</b>
Bottom lock GEZE PL 55	<b>15</b>
Bottom lock, rounded GEZE PL 60	<b>16</b>
Double fanlight patch with reinforcement GEZE PT 51	<b>17</b>
Double strike box GEZE GK 20	<b>18</b>
Strike box GEZE GK 50	<b>19</b>
Connector patch with stop plate GEZE PT 62	<b>20</b>
Connector patch GEZE PT 63	<b>21</b>
Connector patch GEZE PT 70	<b>22</b>
Double fanlight patch GEZE PT 75	<b>23</b>
Connector patch GEZE PT 80	<b>24</b>
Connector patch with reinforcement GEZE PT 81	<b>25</b>
Connector patch for wall mounting GEZE PT 84	<b>26</b>
Connector patch for wall mounting GEZE PT 90	<b>27</b>
Fixed panel profile GEZE FP	<b>28</b>
GEZE products in combination with patch fittings	<b>29</b>
Floor spring GEZE TS 500 NV and TS 500 N EN3	<b>30</b>
Floor spring GEZE TS 550 NV	<b>31</b>

### Elegant solutions – versatile and easy to install

GEZE Patch Fittings are versatile clamping bearings for interior and exterior all-glass installations. They distinguish themselves by their timelessly elegant and unobtrusive design. All visible parts are made of anodised aluminium or of satin respectively polished stainless steel with the finest structures on flat surfaces.

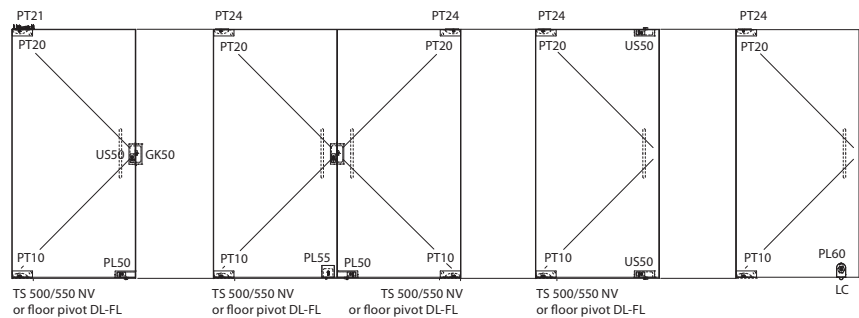
#### RANGE OF APPLICATION

For exterior installations	●
For interior installations	●
For double-action doors	●
For fixed partition walls and wall covering	●
Door leaf weight	max. 100 kg
Door leaf width	max. 1000 mm
Door leaf height	max. 2800 mm
Glass thickness	ESG (8) / 10 / 12 mm
Torque	screws M6 max. 15 Nm screws M8 max. 20 Nm

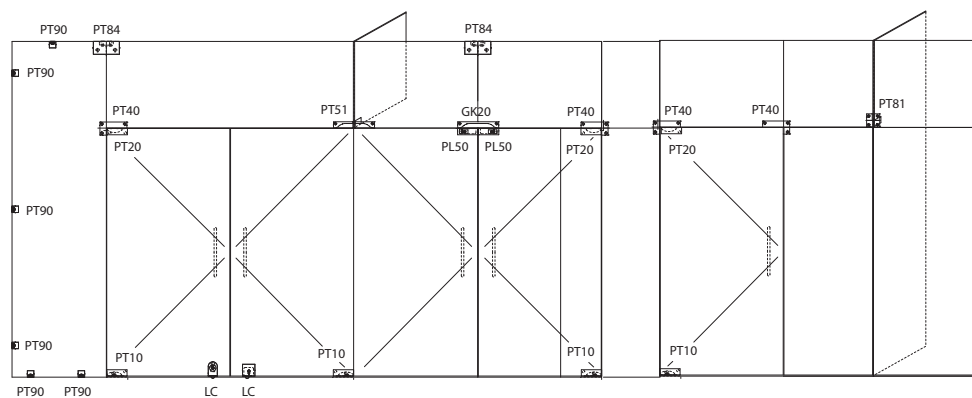
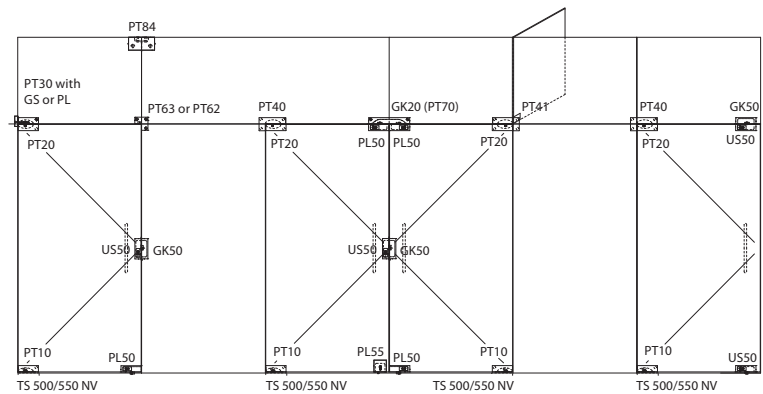
● = Patch Fittings useable

#### OVERVIEW

without fanlight

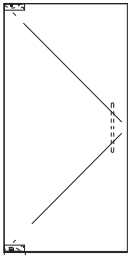


with fanlight

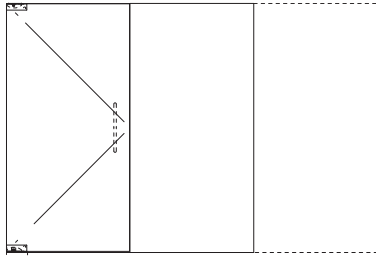


**OVERVIEW DOOR SYSTEMS (WITHOUT FANLIGHT)**

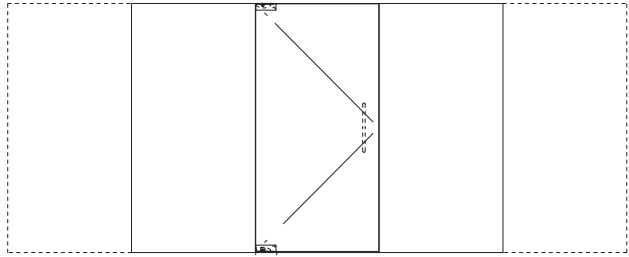
**Type 1**



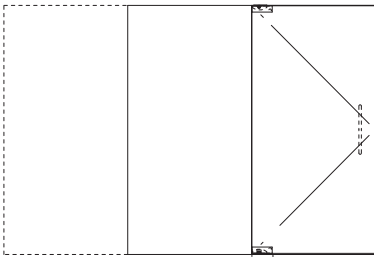
**Type 2**



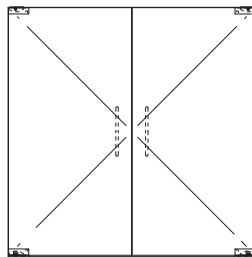
**Type 4**



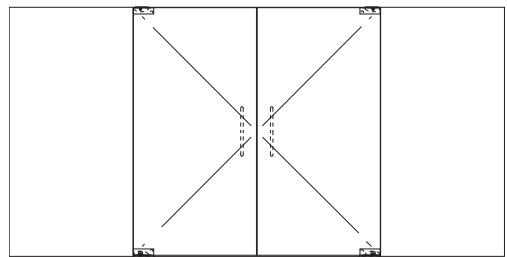
**Type 3**



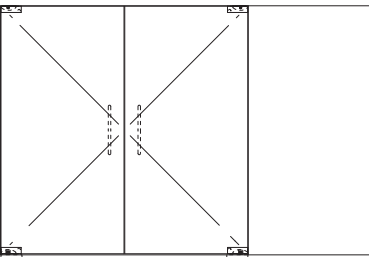
**Type 14**



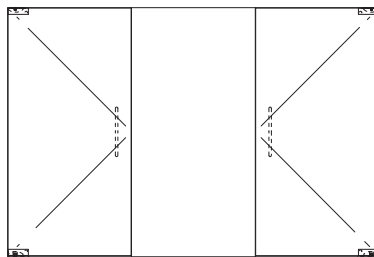
**Type 17**



**Type 15**

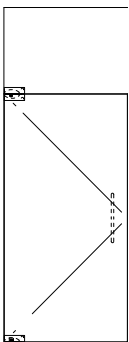


**Type 16**

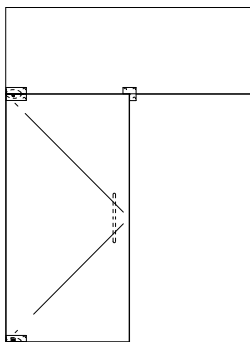


**OVERVIEW DOOR SYSTEMS (WITH FANLIGHT)**

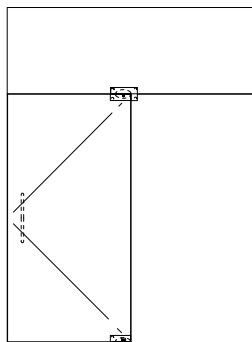
**Type 5**



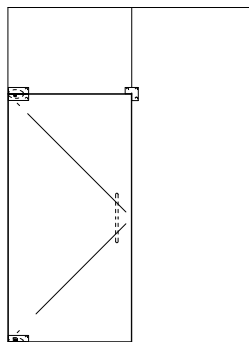
**Type 6**



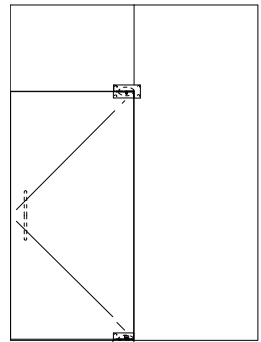
**Type 7**



**Type 8**

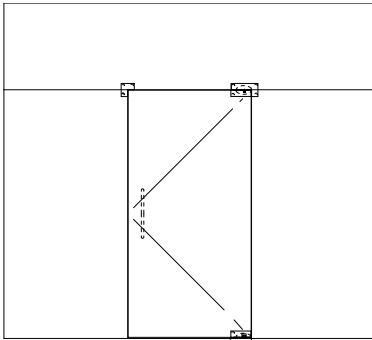


**Type 9**

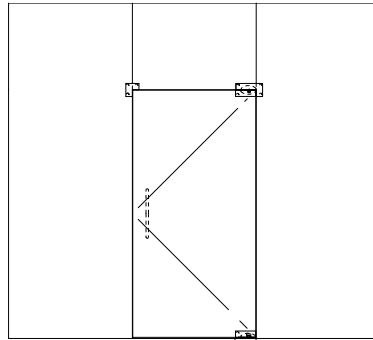


OVERVIEW DOOR SYSTEMS (WITH FANLIGHT)

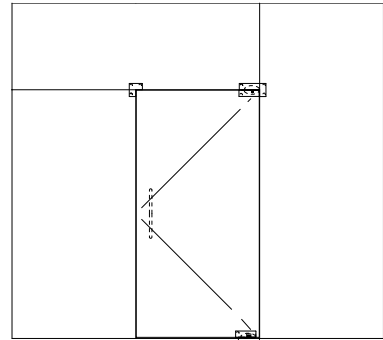
Type 10



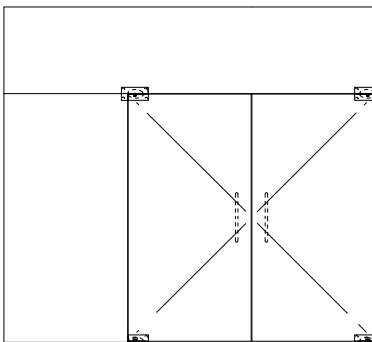
Type 11



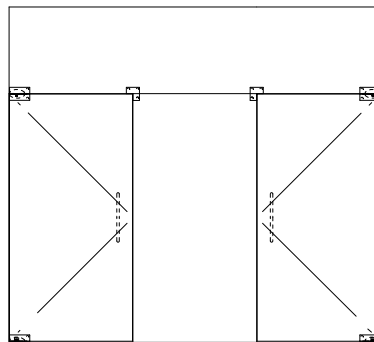
Type 12



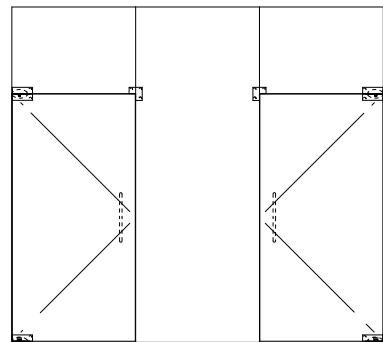
Type 19



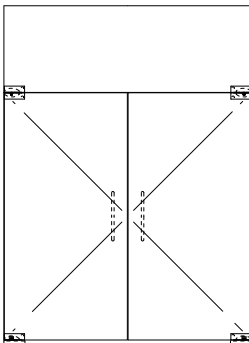
Type 20



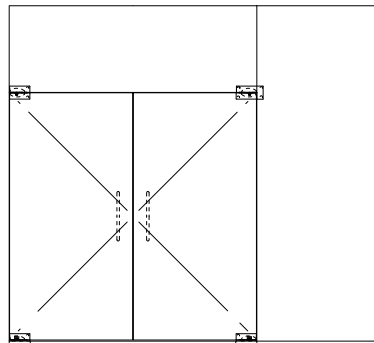
Type 20a



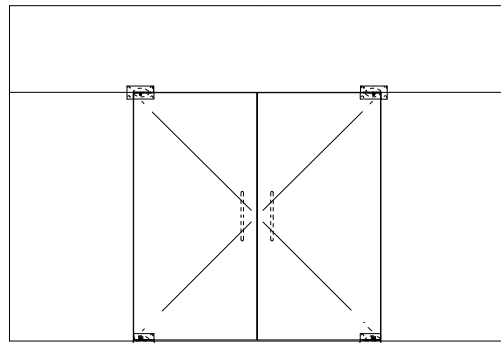
Type 18



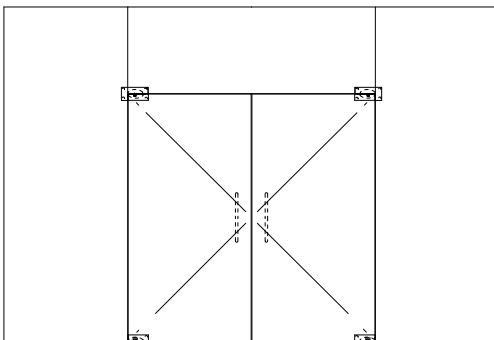
Type 21



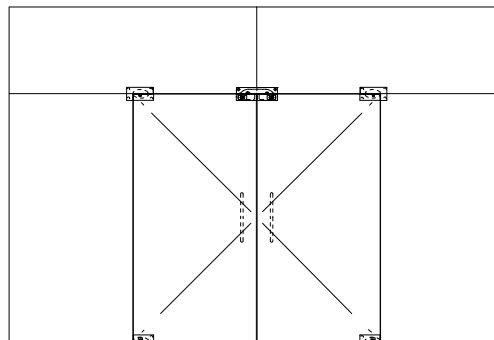
Type 22



Type 23



Type 24



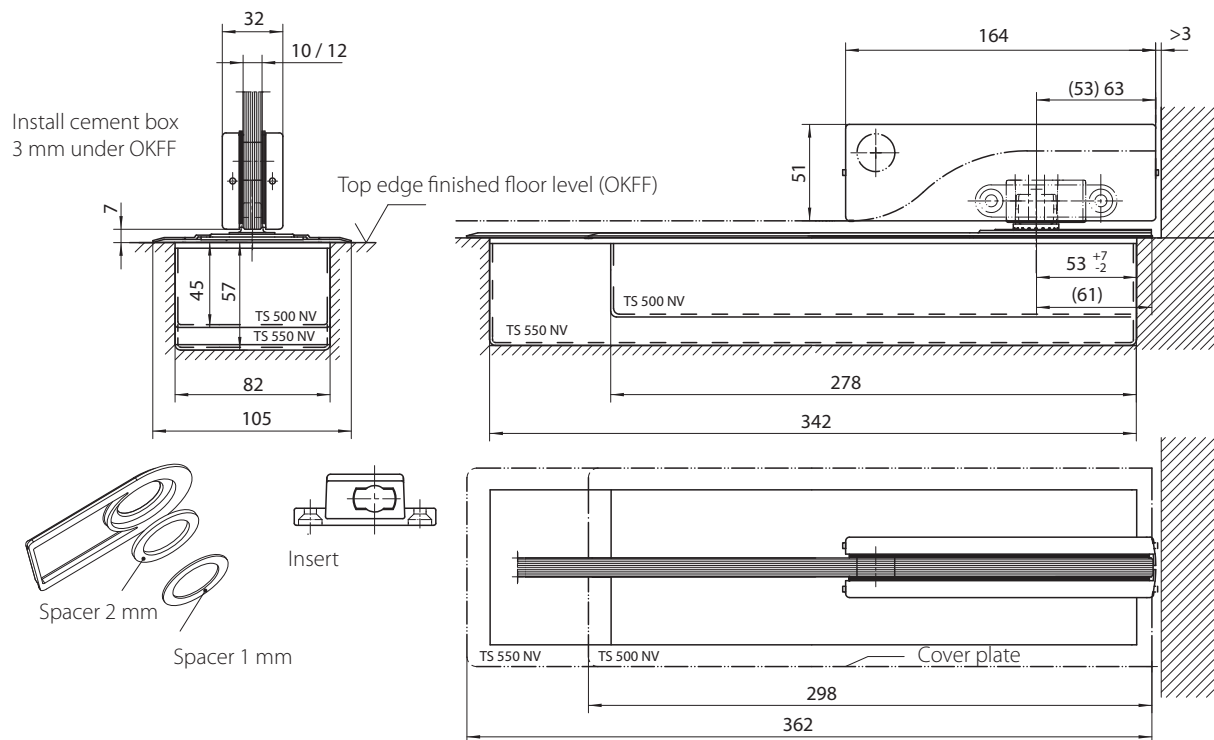
## GEZE PATCH FITTINGS

**Bottom patch GEZE PT 10**

- connection to floor spring
- surface made of anodised aluminium, stainless steel satin or polished

**GEZE PT 10**

Drawing no. 91905-1-0100



Glass machining, see drawing no. 91905-9-0950

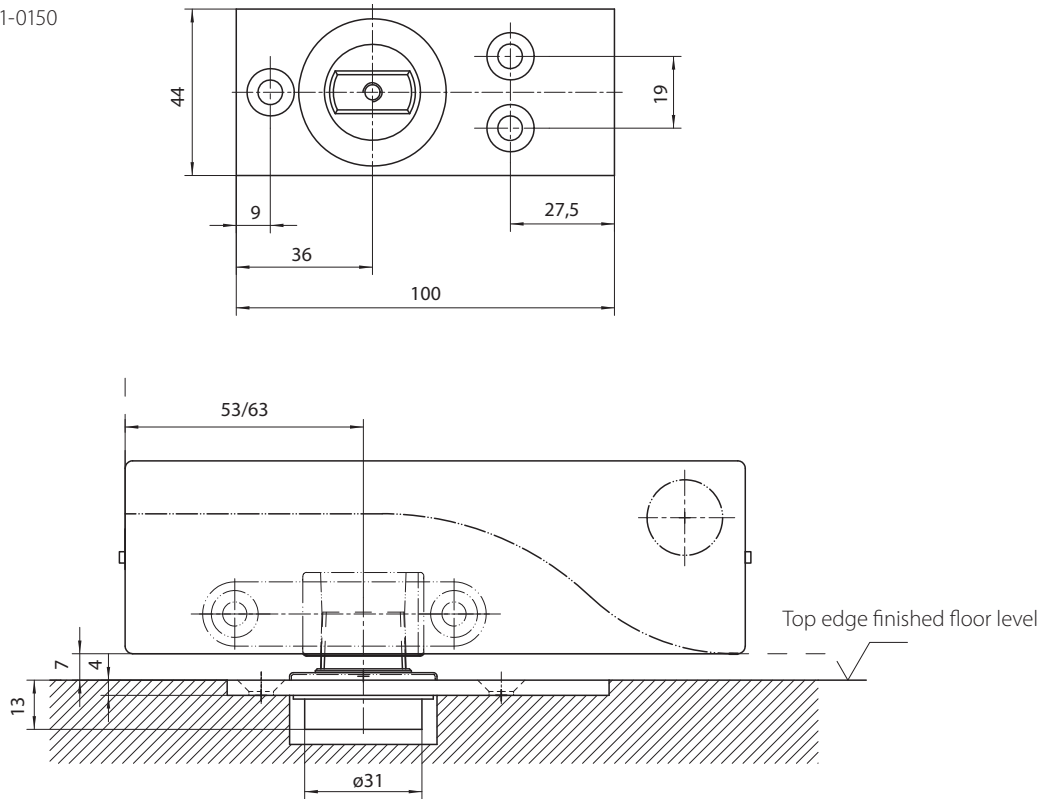
**ORDERING INFORMATION**

Identification	Finish	ID no.
<b>Bottom patch GEZE PT 10</b>	stainless steel satin	111458
	stainless steel polished	119869
	anodised aluminium	135070
Floor pivot DL-FL	galvanised steel	135393
Floor pivot DL-RD	galvanised steel	135555
Spacer set for use with TS 500/550 NV	plastic	135557
Additional shim IL 10/20/30 for 8 mm glass		135077

**Floor pivot DL-FL**

- to use with GEZE PT 10
- door leaf weight max. 150 kg

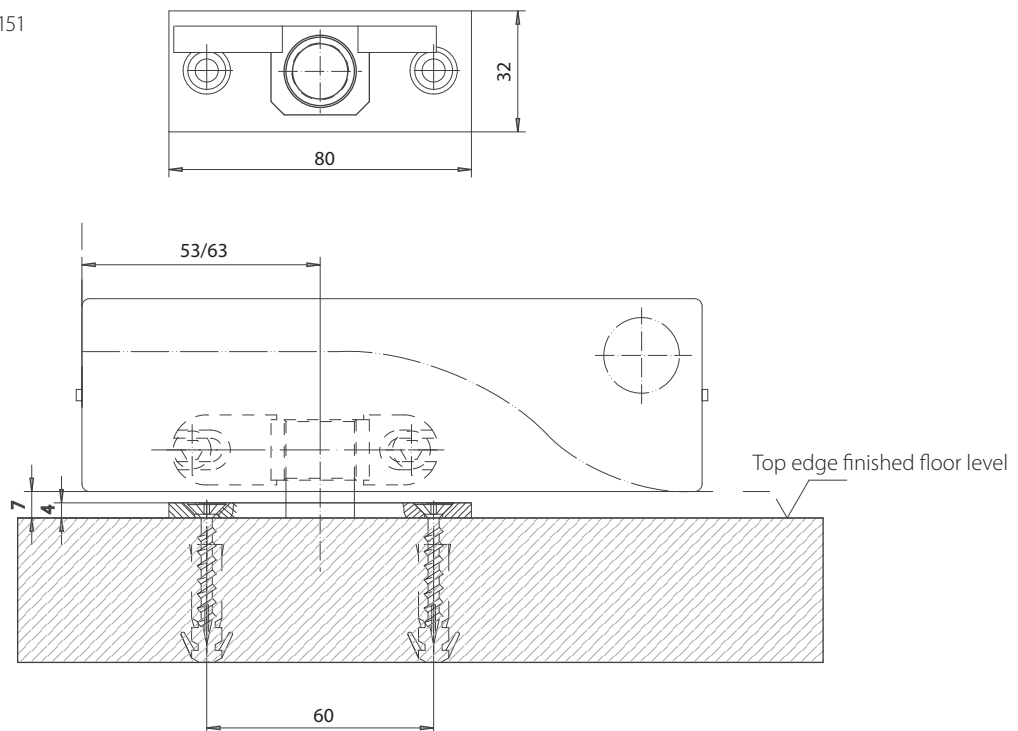
**Drawing no.** 91905-1-0150



**Floor pivot DL-RD**

- to use with GEZE PT 10
- door leaf weight max. 80 kg

**Drawing no.** 91905-1-0151



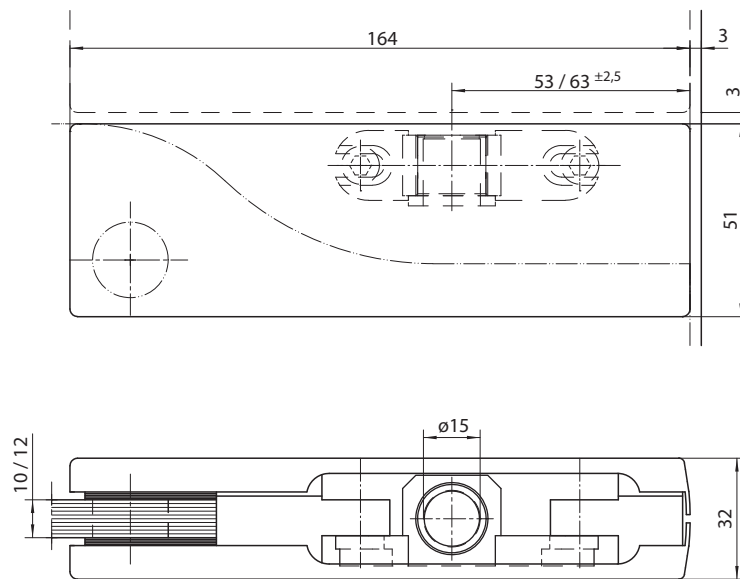
**Top patch GEZE PT 20**

- connection to PT 24 (upper pivot point) or TP 30 and PT 40
- surface made of anodised aluminium, stainless steel satin or polished

**GEZE PT 20**



**Drawing no.** 91905-1-0101



Glass machining, see drawing no. 91905-9-0950

**ORDERING INFORMATION**

Identification	Finish	ID no.
<b>Top patch GEZE PT 20</b>	stainless steel satin	111459
	stainless steel polished	119870
	anodised aluminium	135081
Additional shim IL 10/20/30 for 8 mm glass		135077



**Top pivot GEZE PT 24 and GEZE PT 21**

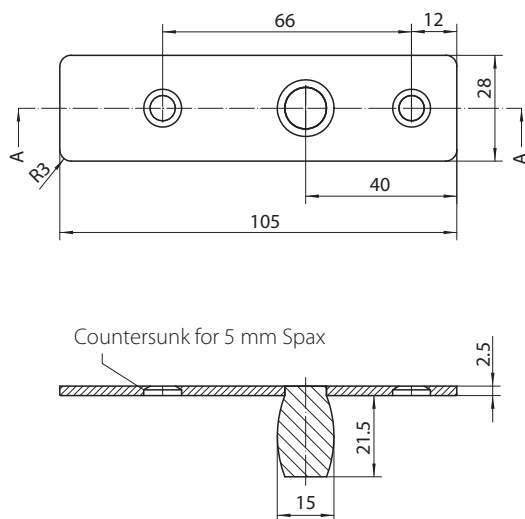
- top pivot with fixing plate for doors without fanlight GEZE PT 24
- top pivot (pivot top TS 136/O Stop 360 V) for doors without fanlight GEZE PT 21

**GEZE PT 24**



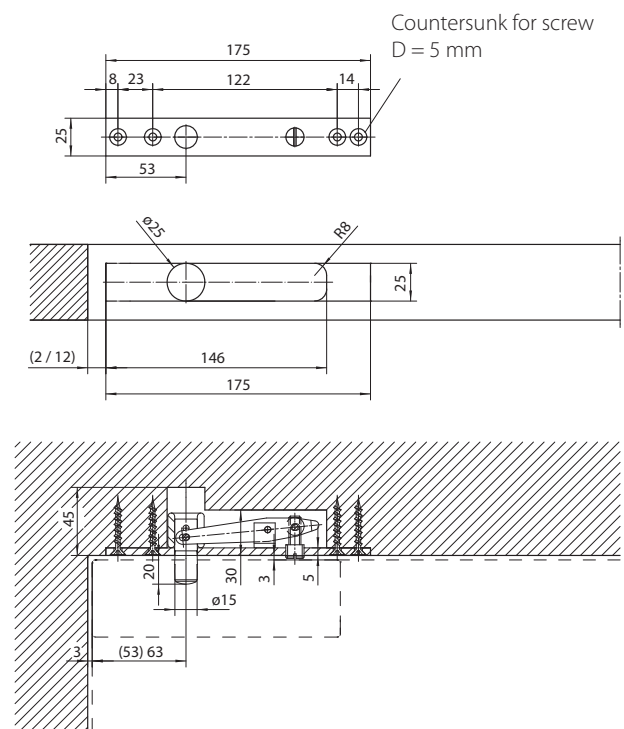
**GEZE PT 24**

Drawing no. 91905-1-0103



**GEZE PT 21**

Drawing no. 91905-1-0102



**ORDERING INFORMATION**

Identification	Finish	ID no.
Top pivot GEZE PT 24	stainless steel	111460
Top pivot GEZE PT 21	galvanised steel	010739

# GEZE PATCH FITTINGS

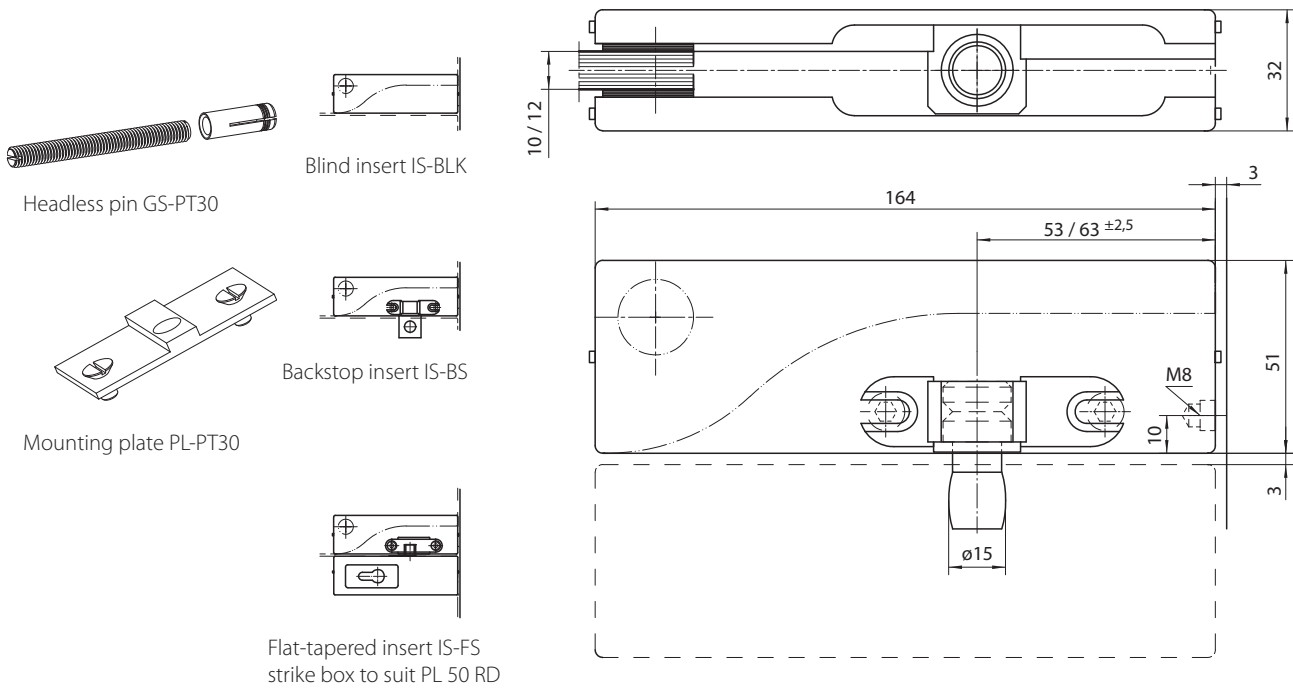
## Fanlight patch with pivot pin GEZE PT 30

- fanlight patch for wall fixing
- surface made of anodised aluminium, stainless steel satin or polished

### GEZE PT 30



Drawing no. 91905-1-0104



Glass machining, see drawing no. 91905-9-0950

### ORDERING INFORMATION

Identification	Finish	ID no.
<b>Fanlight patch with pivot GEZE PT 30</b>	stainless steel satin	111461
	stainless steel polished	119881
	anodised aluminium	135082
Blind insert IS-BLK	stainless steel satin	135349
	stainless steel polished	135106
	anodised aluminium	135350
Backstop insert IS-BS	steel	135105
Headless pin GS-PT30	steel	135103
Mounting plate PL-PT30	stainless steel	135104
Additional shim IL 10/20/30 for 8 mm glass		135077

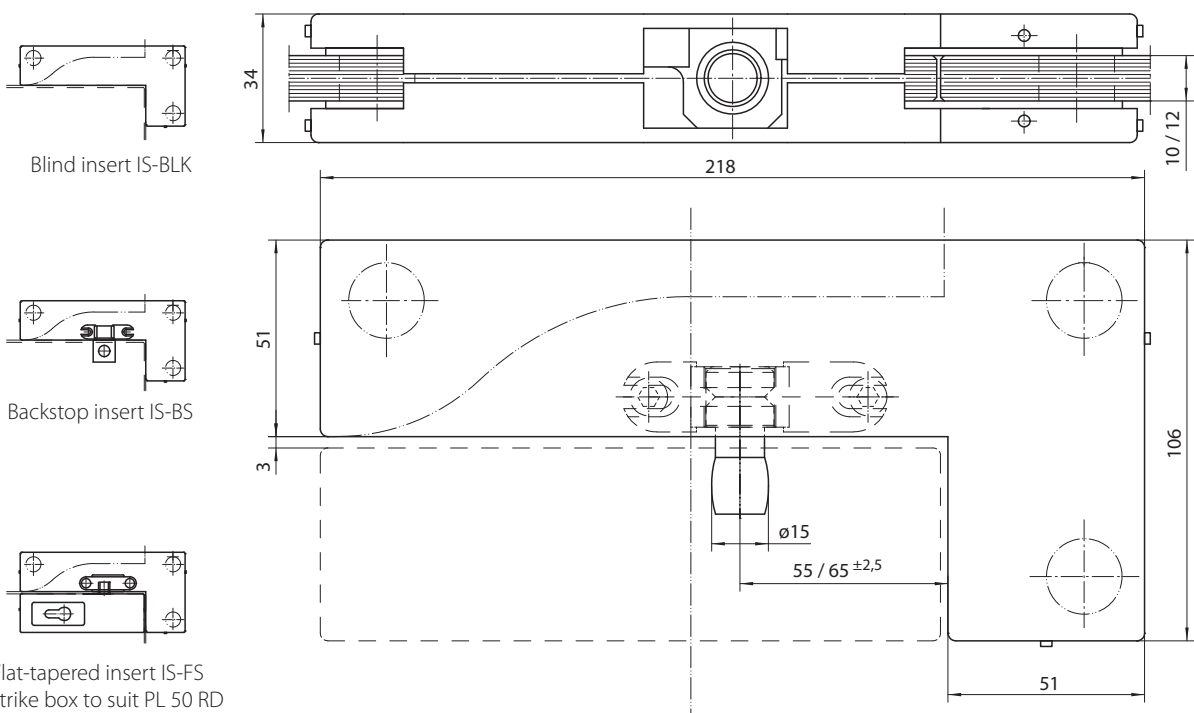
**Patch for fanlight and side panel GEZE PT 40**

- top pivot with connection to the fanlight and lateral fixed panel
- surface made of anodised aluminium, stainless steel satin or polished

**GEZE PT 40**



**Drawing no.** 91905-1-0106



Glass machining, see drawing no. 91905-9-0951

**ORDERING INFORMATION**

Identification	Finish	ID no.
<b>Patch for fanlight and side panel GEZE PT 40</b>	stainless steel satin	111462
	stainless steel polished	119882
	anodised aluminium	135083
Blind insert IS-BLK	stainless steel satin	135349
	stainless steel polished	135106
	anodised aluminium	135350
Backstop insert IS-BS	steel	135105
Additional shim IL 40 for 8 mm glass		135078

# GEZE PATCH FITTINGS

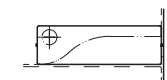
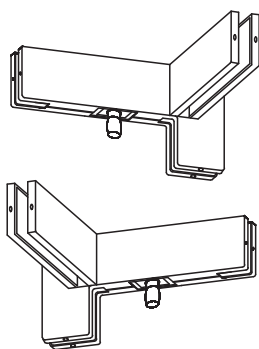
## Patch for fanlight and side panel with reinforcement GEZE PT 41L / PT 41R

- patch for fanlight and side panel / reinforcement left or right
- surface made of anodised aluminium, stainless steel satin or polished

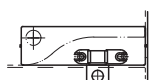
### GEZE PT 41L / PT 41R



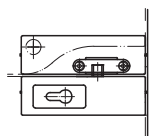
#### Drawing no. 91905-1-0107



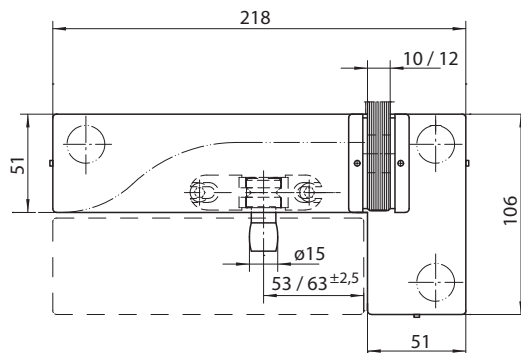
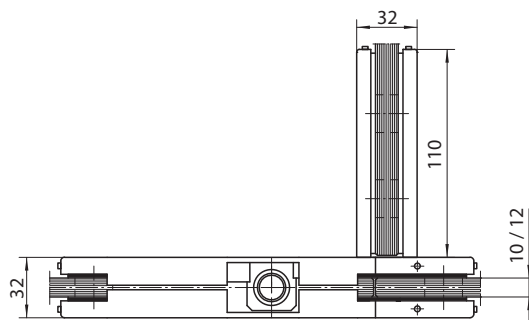
Blind insert IS-BLK



Backstop insert IS-BS



Flat-tapered insert IS-FS  
strike box to suit PL 50 RD



GEZE PT 41L with reinforcement  
left as displayed and  
GEZE PT 41R with reinforcement  
right laterally reversed

Glass machining, see drawing no. 91905-9-0952

### ORDERING INFORMATION

Identification	Finish	ID no.
<b>Patch for fanlight and side panel with reinforcement left GEZE PT 41L</b>	stainless steel satin	124158
	stainless steel polished	124159
	anodised aluminium	135085
<b>Patch for fanlight and side panel with reinforcement right GEZE PT 41R</b>	stainless steel satin	124160
	stainless steel polished	124161
	anodised aluminium	135084
Blind insert IS-BLK	stainless steel satin	135349
	stainless steel polished	135106
	anodised aluminium	135350
Backstop insert IS-BS	steel	135105
Additional shim IL 41 for 8 mm glass		135079

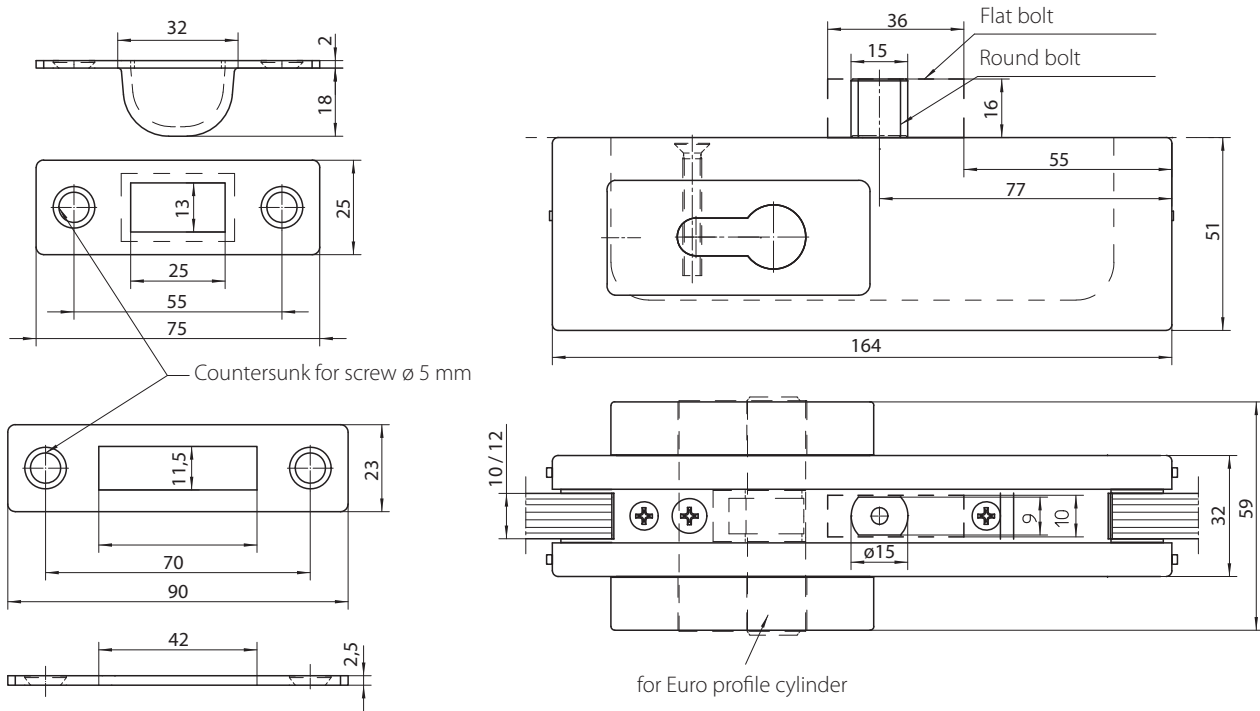
**Centre lock GEZE US 50-FL and GEZE US 50-RD**

- centre lock without cylinder, with flat bolt (version US 50-FL) or with round bolt (version US 50-RD)
- surface made of anodised aluminium, stainless steel satin or polished

**GEZE US 50**



Drawing no. 91905-1-0122



Glass machining, see drawing no. 91905-9-0962

**ORDERING INFORMATION**

Identification	Finish	ID no.
<b>Centre lock with flat bolt GEZE US 50-FL</b>	stainless steel satin	111464
	stainless steel polished	119884
	anodised aluminium	135101
<b>Centre lock with round bolt GEZE US 50-RD</b>	stainless steel satin	124152
	stainless steel polished	124153
	anodised aluminium	135102
Latch catch LC	stainless steel satin	124156
	stainless steel polished	124157
Flat latch catch SB	stainless steel satin	124942
	stainless steel polished	124943
Additional shim IL 50 for 8 mm glass		135149

# GEZE PATCH FITTINGS

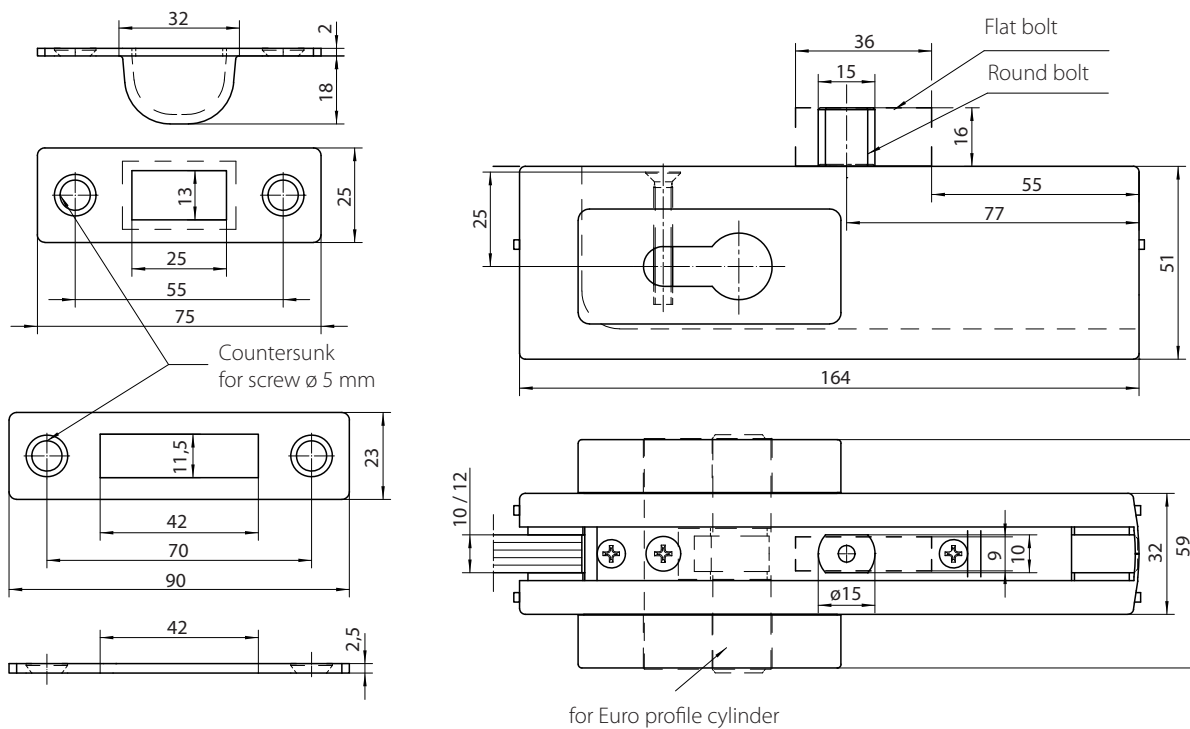
## Patch lock GEZE PL 50-FL and GEZE PL 50-RD

- patch lock without cylinder, with flat bolt (version PL 50-FL) or with round bolt (version PL 50-RD)
- surface made of anodised aluminium, stainless steel satin or polished

### GEZE PL 50



Drawing no. 91905-1-0117



Glass machining, see drawing no. 91905-9-0963

## ORDERING INFORMATION

Identification	Finish	ID no.
Patch lock with flat bolt GEZE PL 50-FL	stainless steel satin	111465
	stainless steel polished	119885
	anodised aluminium	135095
Patch lock with round bolt GEZE PL 50-RD	stainless steel satin	124154
	stainless steel polished	124155
	anodised aluminium	135096
Latch catch LC	stainless steel satin	124156
	stainless steel polished	124157
Flat latch catch SB	stainless steel satin	124942
	stainless steel polished	124943
Additional shim IG PL 50 for 8 mm glass		135149

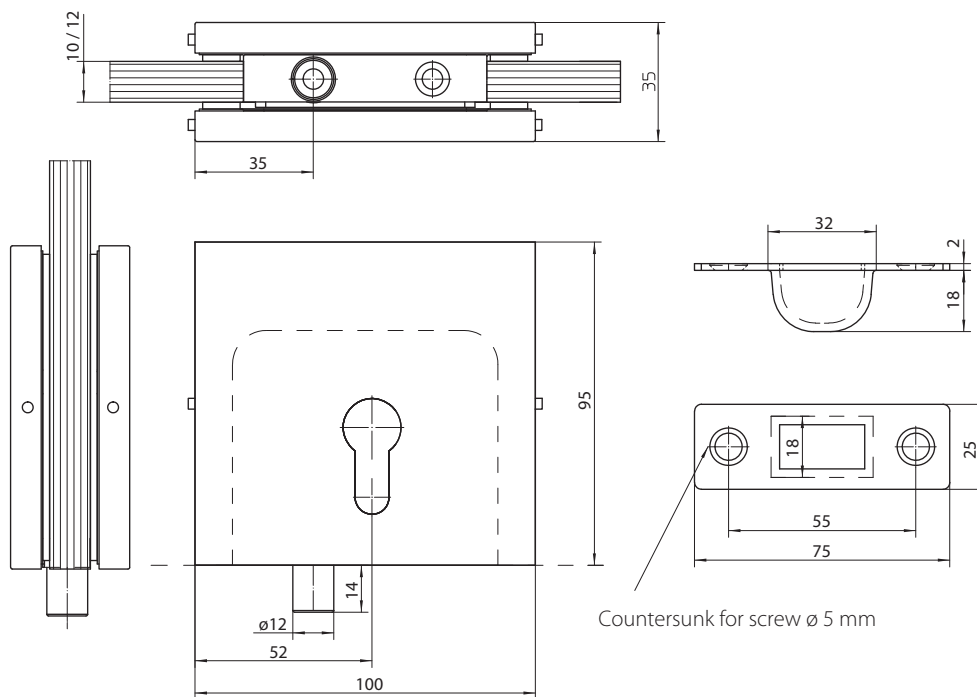
**Bottom lock GEZE PL 55**

- bottom lock with round bolt
- Surface made of anodised aluminium, stainless steel satin or polished

**GEZE PL 55**



**Drawing no.** 91905-1-0118



Countersunk for screw  $\varnothing$  5 mm

Glass machining, see drawing no. 91905-9-0964

**ORDERING INFORMATION**

Identification	Finish	ID no.
<b>Bottom lock with round bolt GEZE PL 55</b>	stainless steel satin	127829
	stainless steel polished	127827
	anodised aluminium	135097
Latch catch LC	stainless steel satin	124156
	stainless steel polished	124157
Additional shim IL 55 for 8 mm glass		135151

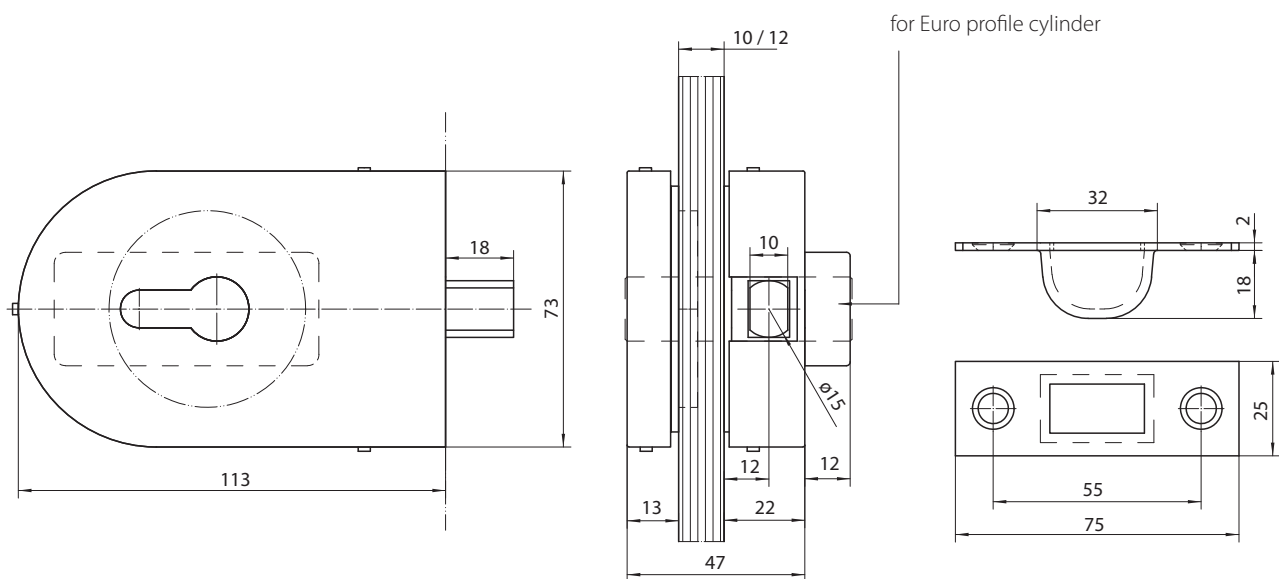
## GEZE PATCH FITTINGS

**Bottom lock, rounded GEZE PL 60**

- bottom lock, rounded, without cylinder
- surface made of anodised aluminium, stainless steel satin or polished

**GEZE PL 60**

Drawing no. 91905-1-0119



Glass machining, see drawing no. 91905-9-0963

**ORDERING INFORMATION**

Identification	Finish	ID no.
<b>Bottom lock, rounded GEZE PL 60</b>	stainless steel satin	127830
	stainless steel polished	127851
	anodised aluminium	135098
Latch catch LC	stainless steel satin	124156
	stainless steel polished	124157
Additional shim IL 60 for 8 mm glass		135152



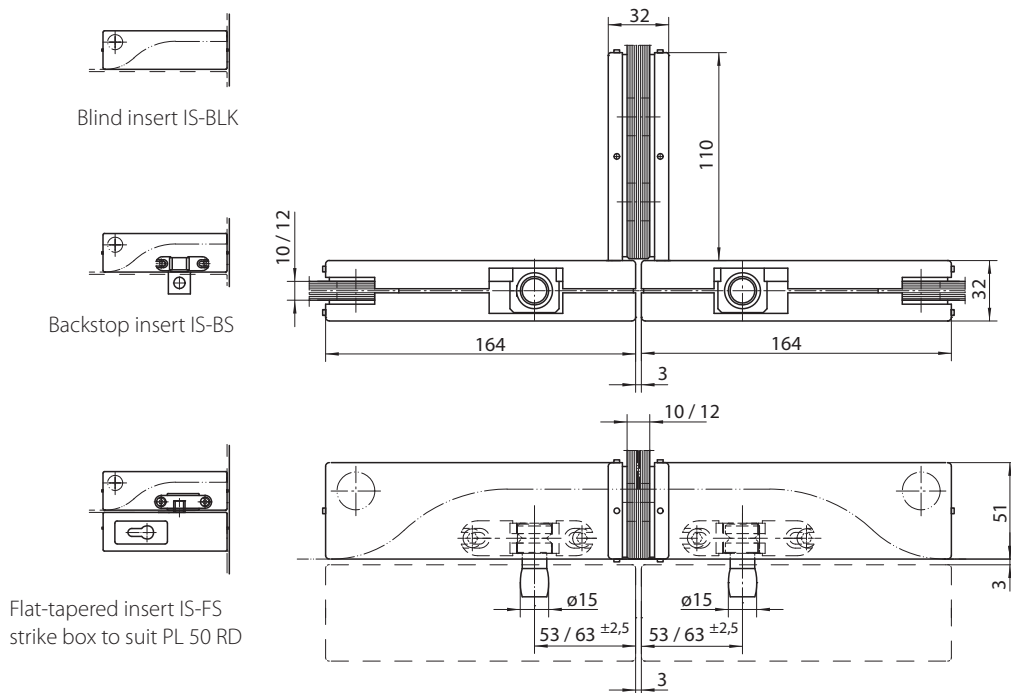
**Double fanlight patch with reinforcement GEZE PT 51**

- double fanlight patch with two pivot pins (D=15mm) and reinforcement on one side
- surface made of anodised aluminium, stainless steel satin or polished

**GEZE PT 51**



**Drawing no.** 91905-1-0108



Glass machining, see drawing no. 91905-9-0953

**ORDERING INFORMATION**

Identification	Finish	ID no.
<b>Double fanlight patch with reinforcement GEZE PT 51</b>	stainless steel satin	127279
	stainless steel polished	127280
	anodised aluminium	135086
Blind insert IS-BLK	stainless steel satin	135349
	stainless steel polished	135106
Backstop insert IS-BS	anodised aluminium	135350
	steel	135105
Additional shim IL 51 for 8 mm glass		135080

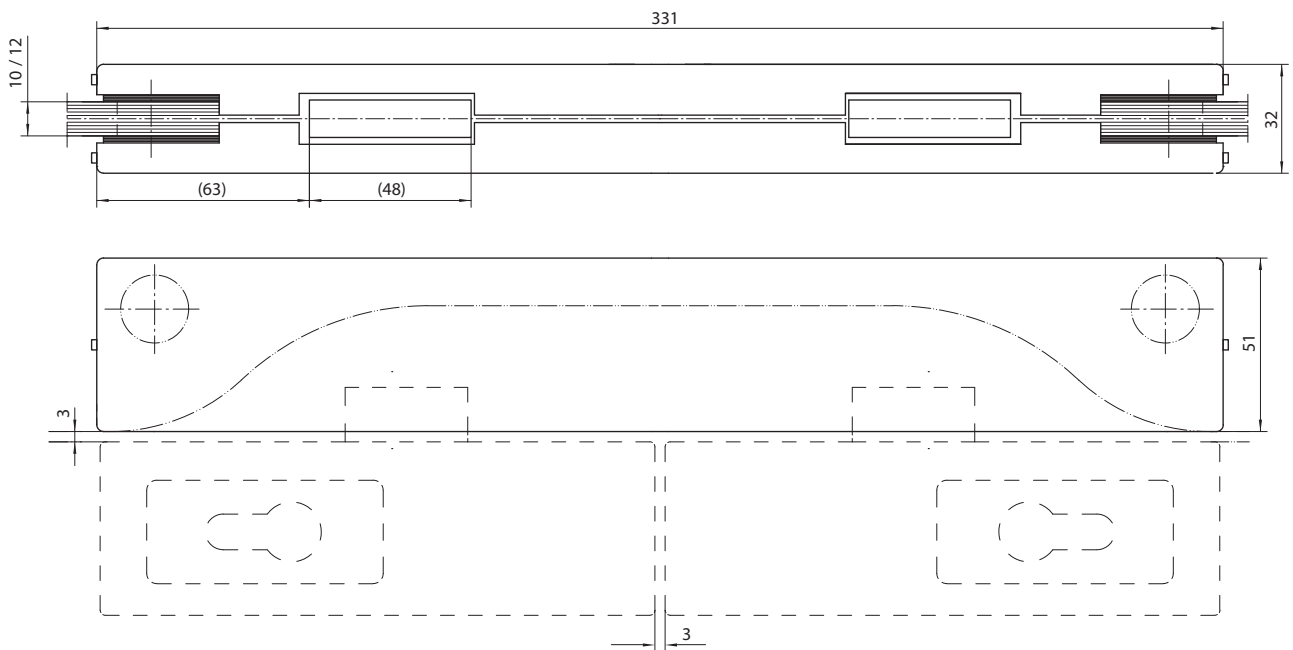
**Double strike box GEZE GK 20**

- double strike box
- surface made of anodised aluminium, stainless steel satin or polished

**GEZE GK 20**



**Drawing no.** 91905-1-0120



Glass machining, see drawing no. 91905-9-0957

**ORDERING INFORMATION**

Identification	Finish	ID no.
<b>Double strike box GEZE GK 20</b>	stainless steel satin	111467
	stainless steel polished	119886
	anodised aluminium	135099
Additional shim IL 75/20 for 8 mm glass		135144

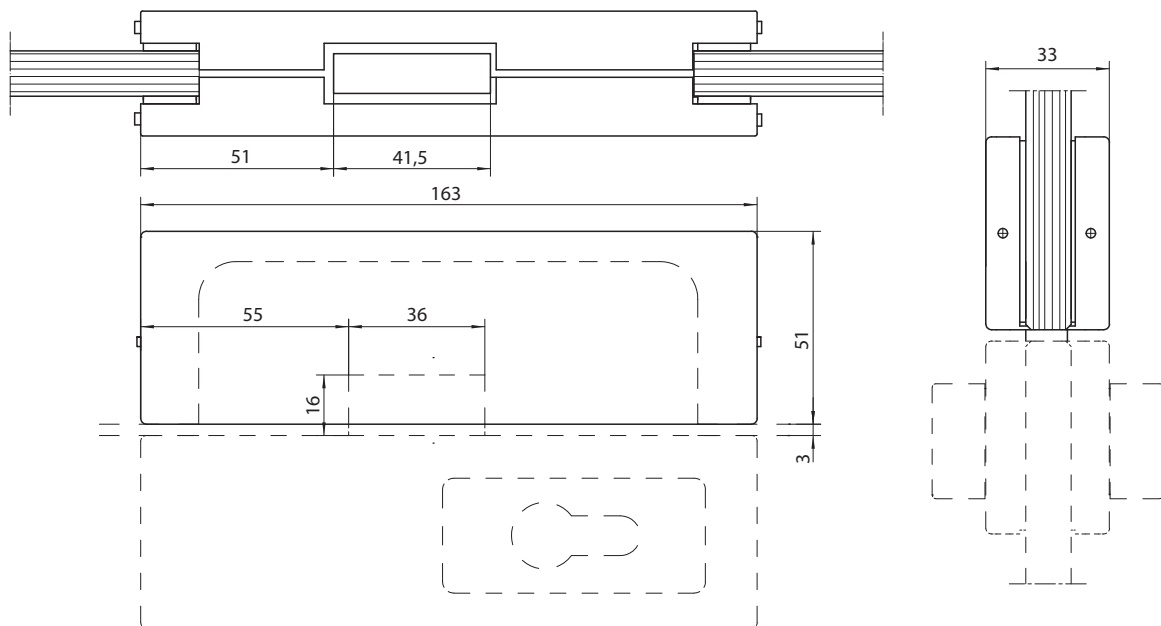
**Strike box GEZE GK 50**

- strike box
- surface made of anodised aluminium, stainless steel satin or polished

**GEZE GK 50**



**Drawing no.** 91905-1-0121



Glass machining, see drawing no. 91905-9-0962

**ORDERING INFORMATION**

Identification	Finish	ID no.
<b>Strike box GEZE GK 50</b>	stainless steel satin	111463
	stainless steel polished	119883
	anodised aluminium	135100
Additional shim IL 50 for 8 mm glass		135149

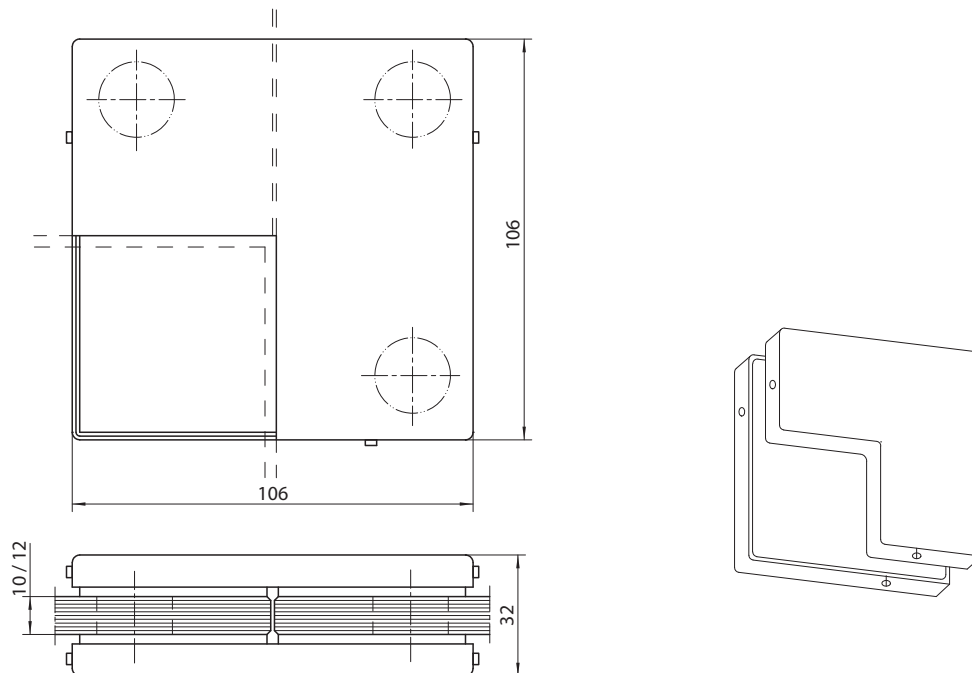
**Connector patch with stop plate GEZE PT 62**

- connector patch with stop plate
- surface made of anodised aluminium, stainless steel satin or polished

**GEZE PT 62**



**Drawing no.** 91905-1-0109



Glass machining, see drawing no. 91905-9-0954

**ORDERING INFORMATION**

Identification	Finish	ID no.
<b>Connector patch with stop plate GEZE PT 62</b>	stainless steel satin	127229
	stainless steel polished	127276
	anodised aluminium	135087
Additional shim IL 62 for 8 mm glass		135141

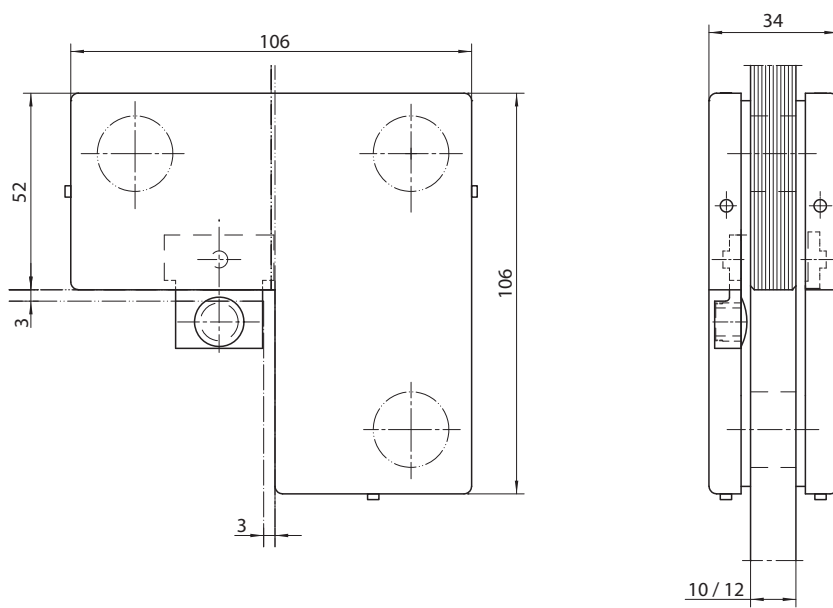
**Connector patch GEZE PT 63**

- connection fixed panel/fanlight
- surface made of anodised aluminium, stainless steel satin or polished

**GEZE PT 63**



**Drawing no.** 91905-1-0110



Glass machining, see drawing no. 91905-9-0954

**ORDERING INFORMATION**

Identification	Finish	ID no.
<b>Connector patch GEZE PT 63</b>	stainless steel satin	111469
	stainless steel polished	119887
	anodised aluminium	135088
Additional shim IL 63 for 8 mm glass		135142

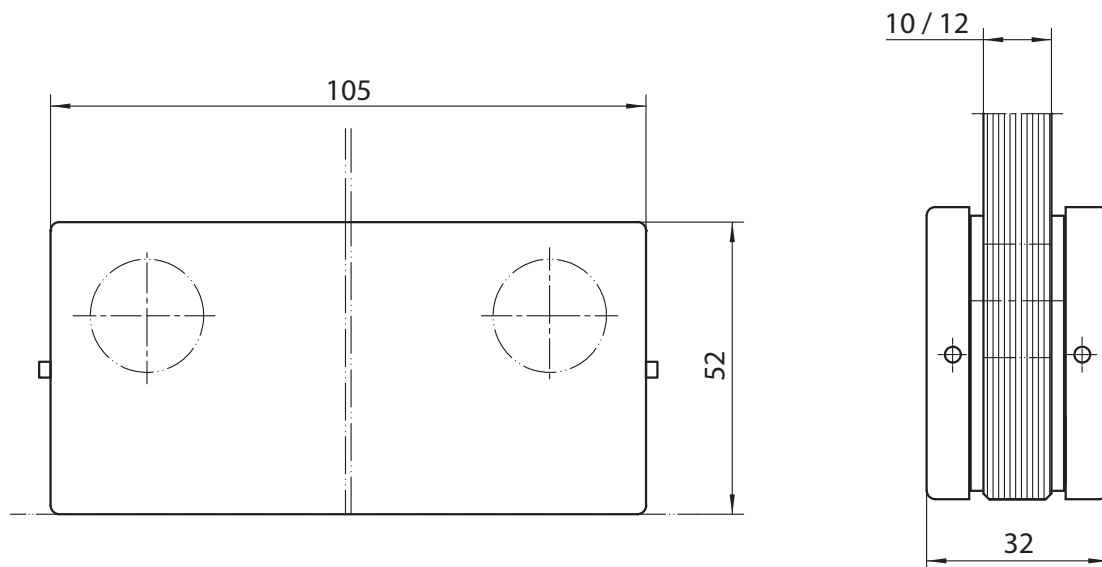
**Connector patch GEZE PT 70**

- connection (fanlight/twofold)
- surface made of anodised aluminium, stainless steel satin or polished

**GEZE PT 70**



**Drawing no.** 91905-1-0111



Glass machining, see drawing no. 91905-9-0956

**ORDERING INFORMATION**

Identification	Finish	ID no.
<b>Connector patch GEZE PT 70</b>	stainless steel satin	111471
	stainless steel polished	119889
	anodised aluminium	135089
Additional shim IL 70 for 8 mm glass		135143

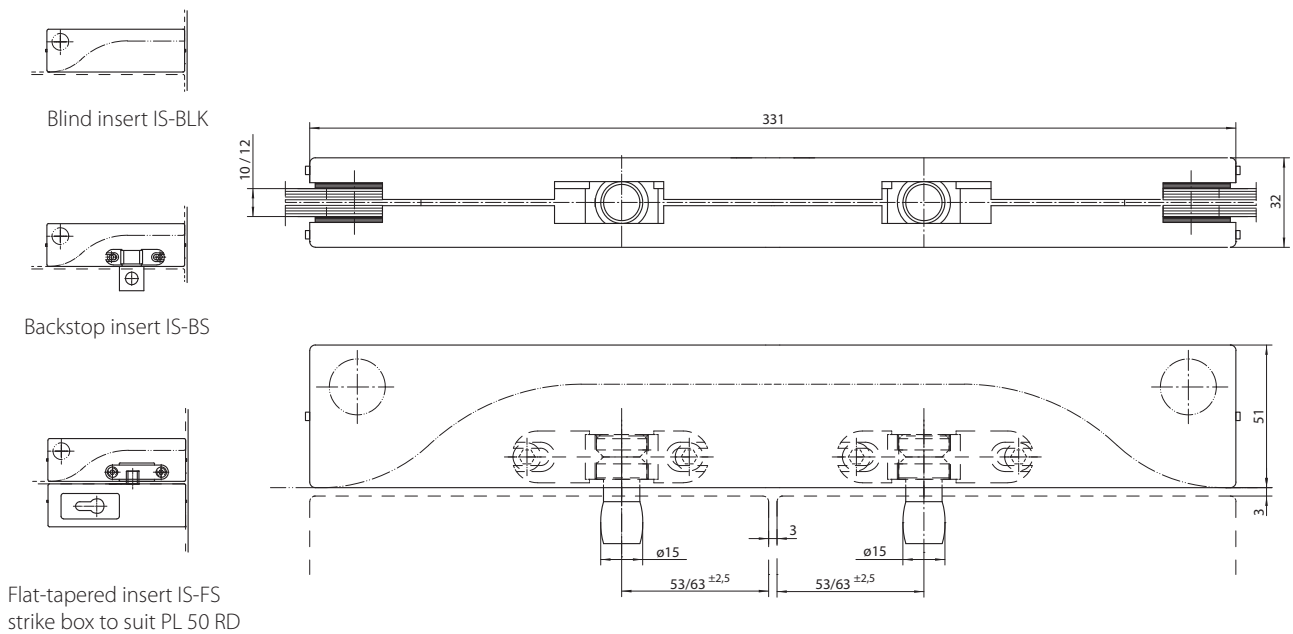
**Double fanlight patch GEZE PT 75**

- double fanlight patch with two pivot pins (D=15mm), without reinforcement
- surface made of anodised aluminium, stainless steel satin or polished

**GEZE PT 75**



**Drawing no.** 91905-1-0112



Glass machining, see drawing no. 91905-9-0957

**ORDERING INFORMATION**

Identification	Finish	ID no.
<b>Double fanlight patch GEZE PT 75</b>	stainless steel satin	127277
	stainless steel polished	127278
	anodised aluminium	135090
Blind insert IS-BLK	stainless steel satin	135349
	stainless steel polished	135106
	anodised aluminium	135350
Backstop insert IS-BS	steel	135105
Additional shim IL 75/20 for 8 mm glass		135144

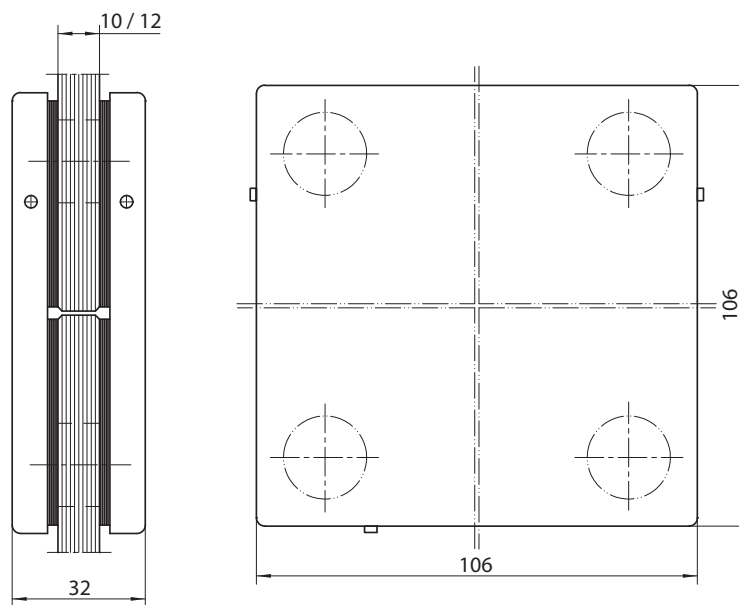
**Connector patch GEZE PT 80**

- connection (fourfold)
- surface made of anodised aluminium, stainless steel satin or polished

**GEZE PT 80**



**Drawing no.** 91905-1-0113



Glass machining, see drawing no. 91905-9-0958

**ORDERING INFORMATION**

Identification	Finish	ID no.
<b>Connector patch GEZE PT 80</b>	stainless steel satin	111473
	stainless steel polished	119891
	anodised aluminium	135091
Additional shim IL 80 for 8 mm glass		135145



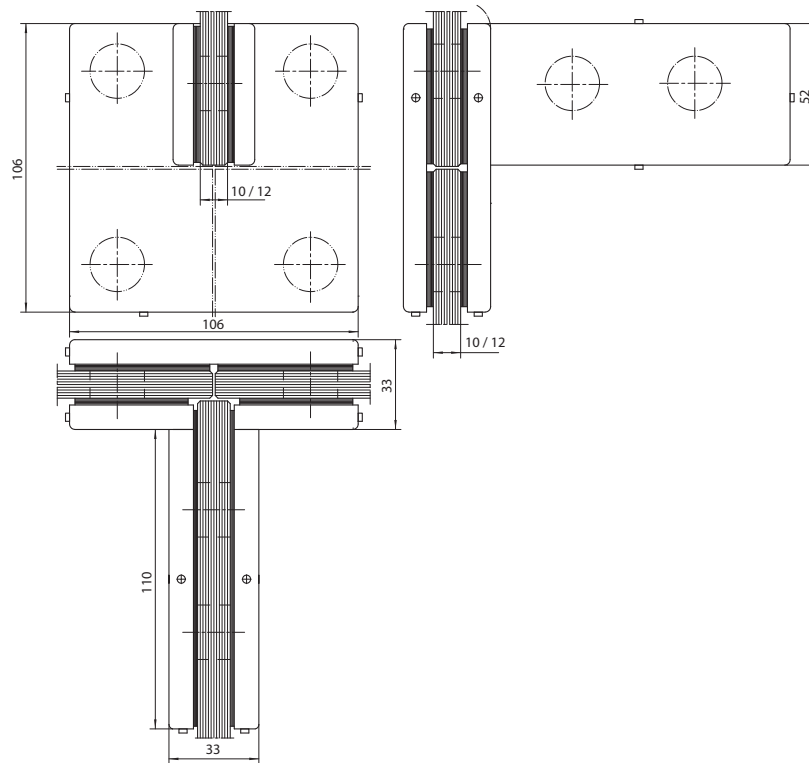
**Connector patch with reinforcement GEZE PT 81**

- connector patch with centre reinforcement
- surface made of anodised aluminium, stainless steel satin or polished

**GEZE PT 81**



**Drawing no.** 91905-1-0114



Glass machining, see drawing no. 91905-9-0959

**ORDERING INFORMATION**

Identification	Finish	ID no.
<b>Connector patch with reinforcement GEZE PT 81</b>	stainless steel satin	127230
	stainless steel polished	127275
	anodised aluminium	135092
Additional shim IL 81 for 8 mm glass		135146

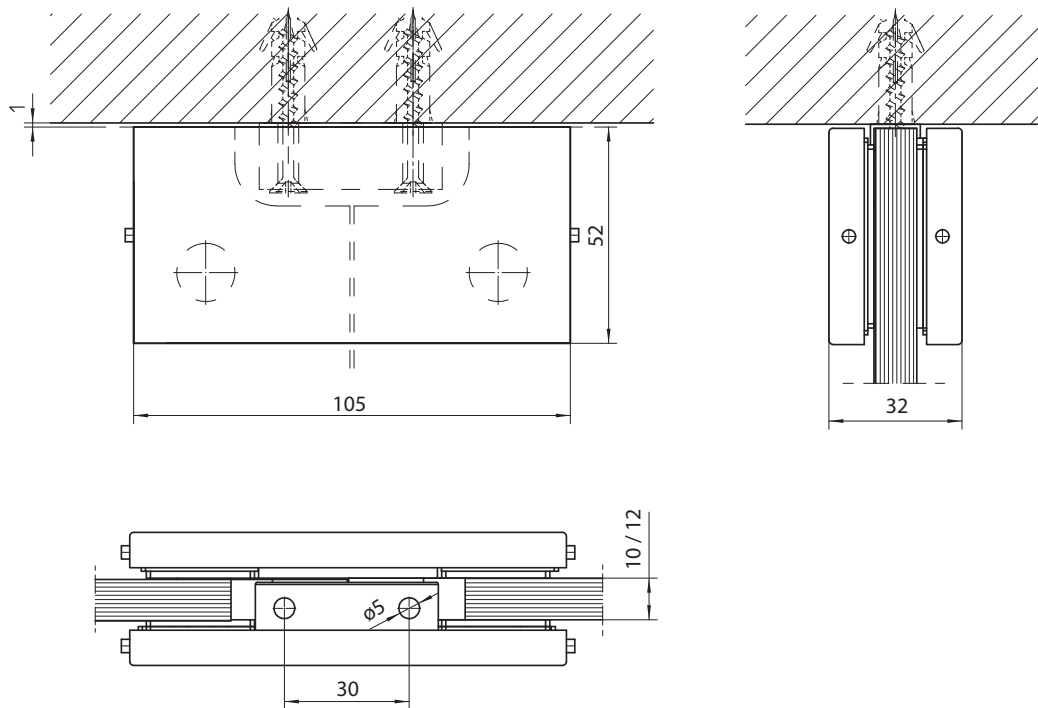
**Connector patch for wall mounting GEZE PT 84**

- glass/wall connection (twofold)
- surface made of anodised aluminium, stainless steel satin or polished

**GEZE PT 84**



**Drawing no.** 91905-1-0115



Glass machining, see drawing no. 91905-9-0960

**ORDERING INFORMATION**

Identification	Finish	ID no.
<b>Connector patch for wall mouting GEZE PT 84</b>	stainless steel satin	124164
	stainless steel polished	124165
	anodised aluminium	135093
Additional shim IL 84 for 8 mm glass		135147

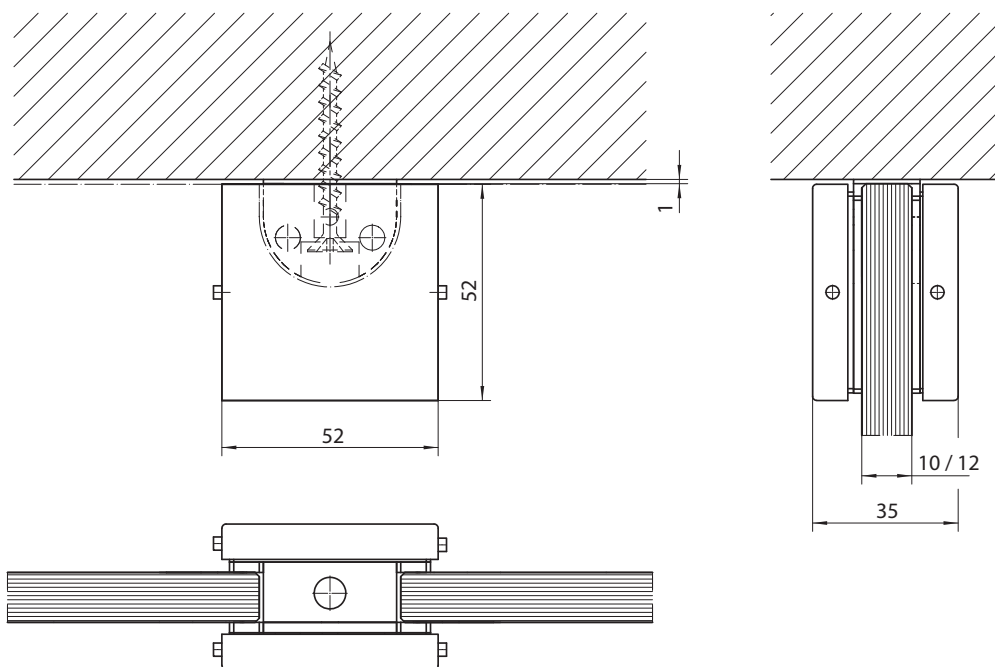
**Connector patch for wall mounting GEZE PT 90**

- glass/wall connection (simplex)
- surface made of anodised aluminium, stainless steel satin or polished

**GEZE PT 90**



**Drawing no.** 91905-1-0116



Glass machining, see drawing no. 91905-9-0961

**ORDERING INFORMATION**

Identification	Finish	ID no.
<b>Connector patch for wall mounting GEZE PT 90</b>	stainless steel satin	124162
	stainless steel polished	124163
	anodised aluminium	135094
Additional shim IL 90 for 8 mm glass		135148

# GEZE PATCH FITTINGS

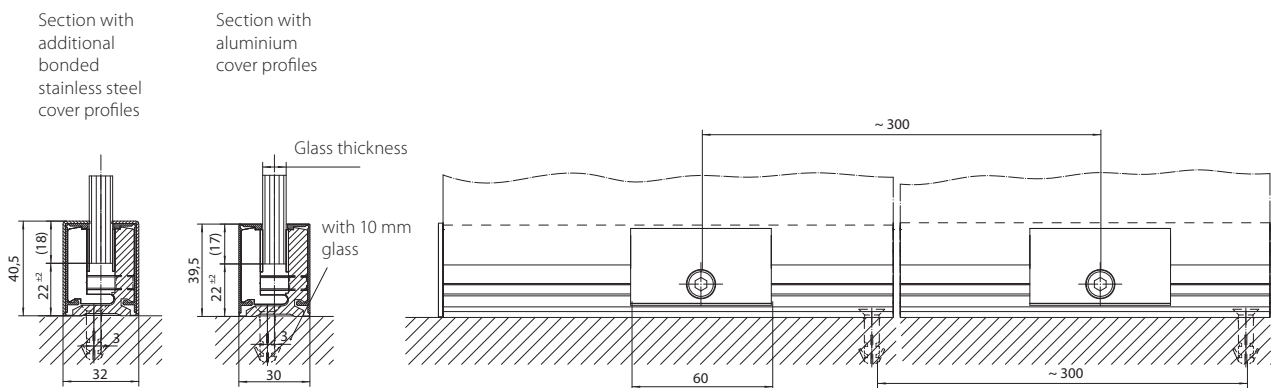
## Fixed panel profile GEZE FP

- fixed panel patch with cover profiles in anodised aluminium - length 6m - for 10 mm glass
- additional self-seal cover profiles and cover caps of stainless steel, satin or polished

### GEZE FP



### Drawing no. 91905-1-0125



## ORDERING INFORMATION

Identification	Finish	ID no.
<b>Fixed panel profile GEZE FP</b>	anodised aluminium	127218
Cover profile FP-C	stainless steel satin	127220
	stainless steel polished	127219
Cover cap EC	stainless steel satin	127232
	stainless steel polished	127231

## GEZE products in combination with patch fittings

### PENDULO C

#### Transparency and functionality

GEZE Pendulo C is a door rail with an integrated door closer. It protects the endangered lower glass edge of swing doors against damage and leads the moving leaf comfortably back into this position.

The profiles enable door leaf widths up to 1100 mm. Via the refined path of the door closer in the door rail, the partly disturbing floor mounted fixtures become redundant. The door can be pre-mounted comfortably in the workshop.

Only for the ground brackets and the upper pivot pins do simply drillings need to be undertaken at the building. Brackets and pivots can be easily and uncomplicatedly fitted. Afterwards the door can be simply hung and the closer is adjusted.



### FLOOR SPRINGS

#### Diversity and reliability

The GEZE floor springs reliably and unobtrusively move single-action and double-action doors of any material.

The product range comprises systems for low as well as heavy leaf weights and door closers for the use with smoke and fire-proof doors. The floor springs for double-leaf doors contain an integrated closing sequence control or additionally an electromechanical hold-open device. The floor springs with lever and guide rail are used for doors with hinges.

By using the GEZE floor springs in combination with GEZE patch fittings it is also possible to build first-class double action glass doors in an easy and economical way, suitable for both commercial and private use.



**The GEZE TS 500 NV and TS 500 N EN3 floor springs – small but perfectly formed**

The exceptionally low overall height of only 42 mm is just one of the unmatched benefits of the TS 500 NV and TS 500 N EN3 floor springs for single action and double action doors. They are unobtrusive but the perfect choice for both new and retrofitted buildings. Their invisible method of functioning – even in all-glass doors – is also a great asset to small and medium-sized doors of up to 1100 mm and leaf weights of up to 150 kg. Used in conjunction with GEZE glass clamping fittings, they enable elegant and attractive all-glass double action doors to be installed in not only highly frequented buildings (such as office complexes), but also private residences. The longevity of the high-quality individual components has been proven in practice, with 500.000 closing and opening cycles performed without any signs of wear.

**GEZE TS 500 NV / N EN3**

**low height** of only 42 mm (plus 3 mm in use with PT10)



**up to 150 kg leaf weight** (100 kg with TS 500 N EN3)



**closing force adjustable** size 1-4 according to EN 1154 (TS 500 N EN3 with fixed size 3)



**back check** fixed



**closing force adjustable**



**latching action adjustable** (for TS 500 NV only)



**optional hold-open device** 85°, 90°, 105°, 120°



**closing action from 175°**

**ORDERING INFORMATION**

Identification	Finish	ID no.
GEZE TS 500 NV	without hold-open	102084
GEZE TS 500 N EN3	without hold-open	103086
Cover plates with screw accessories	stainless steel satin	102127
	dark bronze	103011
	satin brass	103012

**The floor spring GEZE TS 550 NV – convenient and secure**

The TS 550 NV offers comfort and elegance for double action and single action doors with leaf weights up to 300 kg. The invisible functionality is an incontestable advantage just for all-glass doors. Particularly when used with high frequented doors in foyers (f. ex. office buildings and hall entrances) its versatility and robustness become even more apparent.

**GEZE TS 550 NV**



**slim installation height** of only 54 mm (plus 3 mm in use with PT10)



interchangeable axle upper part for **door leaf weights up to 300 kg**



**infinitely adjustable closing force** EN3 to EN6



**integrated back check** to prevent hard shocks



individual **adjustable closing force**



**adjustable latching action** for secure closing



**infinitely variable hydraulic hold-open between 80° and 165°** und **integrated delayed closing action** against too rapid closing

**ORDERING INFORMATION**

Identification	Finish	ID no.
<b>GEZE TS 550 NV</b>		123950
Cover plates, reinforced to 1,5 mm material thickness	stainless steel satin	125888
	dark bronze	125890
	satin brass	125889

**GEZE GmbH**  
**P.O. Box 1363**  
**71226 Leonberg**  
**Germany**

GEZE Service GmbH NL Südwest  
 Reinhold-Vöster-Straße 25  
 71229 Leonberg  
 Tel. +49 (0) 7152-92 33 34

**GEZE GmbH**  
**Reinhold-Vöster-Straße 21-29**  
**71229 Leonberg**  
**Germany**

GEZE Service GmbH NL Nord-Ost  
 Bühringstraße 8  
 13086 Berlin (Weissensee)  
 Tel. +49 (0) 30-47 02 17 32

**Telefon +49 (0) 7152-203-0**  
**Telefax +49 (0) 7152-203-310**

GEZE Service GmbH NL West  
 Nordsternstraße 65  
 45329 Essen  
 Tel. +49 (0) 201-8 30 82 16

**www.geze.com**

**Germany**  
 GEZE Sonderkonstruktionen GmbH  
 Planken 1

GEZE Service GmbH NL Mitte  
 Adenauerallee 2  
 61440 Oberursel  
 Tel. +49 (0) 6171-63 61 03

97944 Boxberg-Schweigern  
 Tel. +49 (0) 7930-9294-0  
 Fax +49 (0) 7930-9294-10  
 E-Mail: sk.de@geze.com

GEZE Service GmbH NL Süd  
 Keltnering 10  
 85658 Eggening  
 Tel. +49 (0) 8095-87 13 61

GEZE GmbH  
 Niederlassung Nord/Ost  
 Bühringstraße 8  
 13086 Berlin (Weissensee)  
 Tel. +49 (0) 30-47 89 90-0  
 Fax +49 (0) 30-47 89 90-17  
 E-Mail: berlin.de@geze.com

**Austria**  
 GEZE Austria GmbH  
 Mayrwiesstraße 12  
 5300 Hallwang b. Salzburg  
 Tel. +43-(0)662-663142  
 Fax +43-(0)662-663142-15  
 E-Mail: austria.at@geze.com

GEZE GmbH  
 Niederlassung West  
 Nordsternstraße 65  
 45329 Essen  
 Tel. +49 (0) 201-83082-0  
 Fax +49 (0) 201-83082-20  
 E-Mail: essen.de@geze.com

**Baltic States**  
 GEZE GmbH Baltic States office  
 Dzelzavas iela 120 S  
 1021 Riga  
 Tel. +371 (0) 67 89 60 35  
 Fax +371 (0) 67 89 60 36  
 E-Mail: office-latvia@geze.com

GEZE GmbH  
 Niederlassung Mitte  
 Adenauerallee 2  
 61440 Oberursel (b. Frankfurt)  
 Tel. +49 (0) 6171-63610-0  
 Fax +49 (0) 6171-63610-1  
 E-Mail: frankfurt.de@geze.com

**Benelux**  
 GEZE Benelux B.V.  
 Leemkuil 1  
 Industrieterrein Kapelbeemd  
 5626 EA Eindhoven  
 Tel. +31-(0)40-26290-80  
 Fax +31-(0)40-26 290-85  
 E-Mail: benelux.nl@geze.com

GEZE GmbH  
 Niederlassung Süd  
 Reinhold-Vöster-Straße 21-29  
 71229 Leonberg  
 Tel. +49 (0) 7152-203-594  
 Fax +49 (0) 7152-203-438  
 E-Mail: leonberg.de@geze.com

**Bulgaria**  
 GEZE Bulgaria - Trade  
 Representative Office  
 61 Pirinski Prohod, entrance „B“,  
 4th floor, office 5,  
 1680 Sofia  
 Tel. +359 (0) 24 70 43 73  
 Fax +359 (0) 24 70 62 62  
 E-Mail: office-bulgaria@geze.com

**China**  
 GEZE Industries (Tianjin) Co., Ltd.  
 Shuangchenzhong Road  
 Beichen Economic Development  
 Area (BEDA)  
 Tianjin 300400, P.R. China  
 Tel. +86(0)22-26973995-0  
 Fax +86(0)22-26972702  
 E-Mail: Sales-info@geze.com.cn

GEZE Industries (Tianjin) Co., Ltd.  
 Branch Office Shanghai  
 Unit 25N, Cross Region Plaza  
 No 899, Ling Ling Road,  
 XuHui District  
 200030 Shanghai, P.R. China  
 Tel. +86 (0)21-523 40 960  
 Fax +86 (0)21-644 72 007  
 E-Mail: chinasales@geze.com.cn

GEZE Industries (Tianjin) Co., Ltd.  
 Branch Office Guangzhou  
 Room 17C3  
 Everbright Bank Building, No.689  
 Tian He Bei Road  
 510630 Guangzhou  
 P.R. China  
 Tel. +86(0)20-38731842  
 Fax +86(0)20-38731834  
 E-Mail: chinasales@geze.com.cn

GEZE Industries (Tianjin) Co., Ltd.  
 Branch Office Beijing  
 Rm3A02, Building 3  
 ZhuBang 2000 Business Plaza  
 No.98, Balizhuang xili  
 Chaoyang District  
 100025 Beijing, P.R.China  
 Tel. +86 (0)10-8797 5177 /-78  
 Fax +86 (0)10-8797 5171  
 E-Mail: chinasales@geze.com.cn

**France**  
 GEZE France S.A.R.L.  
 ZAC de l'Orme Rond  
 RN 19  
 77170 Servon  
 Tel. +33-(0)1-606260-70  
 Fax +33-(0)1-606260-71  
 E-Mail: france.fr@geze.com

**Hungary**  
 GEZE Hungary Kft.  
 Bartók Béla út 105-113.  
 Budapest  
 H-1115  
 Tel. +36 (1) 481 4670  
 Fax +36 (1) 481 4671  
 E-Mail: office-hungary@geze.com

**Iberia**  
 GEZE Iberia S.R.L.  
 Pol. Ind. El Pla  
 C/Comerc, 2-22, Nave 12  
 08980 Sant Feliu de Llobregat  
 (Barcelona)  
 Tel. +34(0)9-02194036  
 Fax +34(0)9-02194035  
 E-Mail: info@geze.es

**India**  
 GEZE India Private Ltd.  
 MF 2 & 3, Guindy Industrial Estate  
 Ekkattuthangal  
 Chennai 600 097  
 Tamilnadu  
 Tel. +91 44 3061 6900  
 Fax +91 44 3061 6901  
 E-Mail: office-india@geze.com

**Italy**  
 GEZE Italia Srl  
 Via Giotto, 4  
 20040 Cambiago (MI)  
 Tel. +3902950695-11  
 Fax +3902950695-33  
 E-Mail: italia.it@geze.com

GEZE Engineering Roma Srl  
 Via Lucrezia Romana, 91  
 00178 Roma  
 Tel. +3906-7265311  
 Fax +3906-72653136  
 E-Mail: roma@geze.biz

**Poland**  
 GEZE Polska Sp.z o.o.  
 ul. Annapol 21  
 03-236 Warszawa  
 Tel. +48 (0)22 440 4 440  
 Fax +48 (0)22 440 4 400  
 E-Mail: geze.pl@geze.com

**Romania**  
 GEZE GmbH Rezentantanta Romania  
 Str. Ionescu Baican nr. 22  
 RO-021835 Bucuresti, sector 2  
 Tel. +40 (0) 21 25 07 750  
 Fax +40 (0) 21 25 07 750  
 E-Mail: office-romania@geze.com

**Russian Federation**  
 GEZE GmbH Representative  
 Office Russia  
 Kolodesnij pereulok3, str. 25  
 Office Nr. 5201-5203  
 107076 Moskau  
 Tel. +7 (0) 49 55 89 90 52  
 Fax +7 (0) 49 55 89 90 51  
 E-Mail: office-russia@geze.com

**Scandinavia – Sweden**  
 GEZE Scandinavia AB  
 Mallslingan 10  
 Box 7060  
 18711 Täby, Sweden  
 Tel. +46(0)8-7323-400  
 Fax +46(0)8-7323-499  
 E-Mail: sverige.se@geze.com

**Scandinavia – Norway**  
 GEZE Scandinavia AB avd. Norge  
 Industriveien 34 B  
 2073 Dal  
 Tel. +47(0)639-57200  
 Fax +47(0)639-57173  
 E-Mail: norge.se@geze.com

**Scandinavia – Finland**  
 Branch office of GEZE Scandinavia AB  
 Herralantie 824  
 Postbox 20  
 15871 Hollola  
 Tel. +358(0)10-4005100  
 Fax +358(0)10-4005120  
 E-Mail: finland.se@geze.com

**Scandinavia – Denmark**  
 GEZE Danmark  
 Branch office of GEZE Scandinavia AB  
 Høje Taastrup Boulevard 53  
 2630 Taastrup  
 Tel. +45(0)46-323324  
 Fax +45(0)46-323326  
 E-Mail: danmark.se@geze.com

**South Africa**  
 DCLSA Distributors (Pty.) Ltd.  
 118 Richards Drive, Halfway House,  
 Ext 111  
 P.O. Box 7934, Midrand 1685  
 Tel. +27(0)113158286  
 Fax +27(0)113158261  
 E-Mail: info@dclsa.co.za

**Switzerland**  
 GEZE Schweiz AG  
 Bodenackerstrasse 79  
 4657 Dulliken  
 Tel. +41-(0)62-2855400  
 Fax +41-(0)62-2855401  
 E-Mail: schweiz.ch@geze.com

**Turkey**  
 GEZE GmbH Türkiye - Istanbul  
 İrtibat Bürosu  
 Ataşehir Bulvarı, Ata 2/3  
 Plaza Kat: 9 D: 84 Ataşehir  
 Kadıköy / Istanbul  
 Tel. + 90 (0) 21 64 55 43 15  
 Fax + 90 (0) 21 64 55 82 15  
 E-Mail: office-turkey@geze.com

**Ukraine**  
 Repräsentanz GEZE GmbH Ukraine  
 ul. Vikentija Hvoyki, 21,  
 office 151  
 04080 Kiev  
 Tel. +38 (0) 44 49 97 725  
 Fax +38 (0) 44 49 97 725  
 E-Mail: office-ukraine@geze.com

**United Arab Emirates/GCC**  
 GEZE Middle East  
 P.O. Box 17903  
 Jebel Ali Free Zone  
 Dubai  
 Tel. +971(0)4-8833112  
 Fax +971(0)4-8833240  
 E-Mail: geze@emirates.net.ae

**United Kingdom**  
 GEZE UK Ltd.  
 Blenheim Way  
 Fradley Park  
 Lichfield  
 Staffordshire WS13 8SY  
 Tel. +44(0)1543443000  
 Fax +44(0)1543443001  
 E-Mail: info.uk@geze.com

GEZE REPRESENTATIVE